

F2 T

PROFESSIONAL HIGH-POWER TUNGSTEN LED FRESNEL SPOT LIGHT



DESCRIPTION

The Cameo F2 T is a professional Fresnel light with high-quality 200 mm lens and huge 14,000 lm output delivering a soft-edged beam with continuously variable 15° to 40° spread. A perfect and energy saving replacement for conventional 1 kW Fresnels, the RDM-enabled spot light is powered by a single 240 watt Tungsten LED with 50,000 h life expectancy. It has a colour temperature of 3,200 K and super high CRI of 97 showing colours faithfully and realistically.

The F2 T provides 6 modes of DMX control, a high-speed strobe function and smooth 16-bit dimming with a choice of 4 curves and adjustable response. It offers a selection of 6 PWM frequencies up to 25 kHz for flicker-free performance, and the super efficient heat pipe cooling and temperature controlled fan ensure optimum operation. The Fresnel's rugged die-cast aluminium housing features a rotary encoder and OLED display for easy configuration plus 5-pin DMX and Power Twist inputs and outputs for convenient daisy-chaining. The fixture comes with an 8-way barn door, gel frame and power cord.

FEATURES

- ✓ Tungsten LED Fresnel with 3,200 K colour temperature and 14,000 lm output
- ✓ Perfect replacement for conventional 1 kW Fresnels
- ✓ Faithful colour reproduction, CRI rating of 96, TLCI of 97
- ✓ Continuously variable zoom for 15° to 40° beam spread
- ✓ 16-bit dimming with 4 selectable curves and adjustable response
- ✓ Super efficient heat pipe cooling and temperature controlled fan for optimum operation
- ✓ RDM enabled
- ✓ Selectable PWM frequencies up to 25 kHz
- ✓ Flicker-free and silent operation, ideal for TV, film and theatre applications
- ✓ Includes 8-way barn door and gel frame



Features and specifications
subject to change without notice.

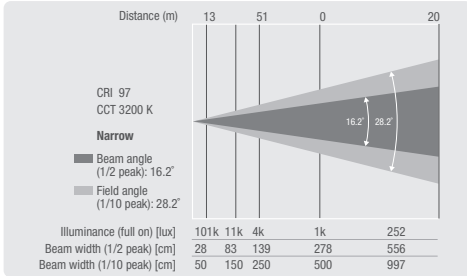
adamhall.com

F2 T

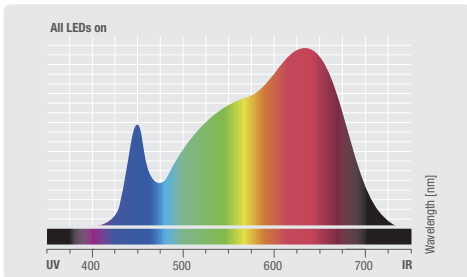
PROFESSIONAL HIGH-POWER TUNGSTEN LED FRESNEL SPOT LIGHT



PHOTOMETRICAL DATA

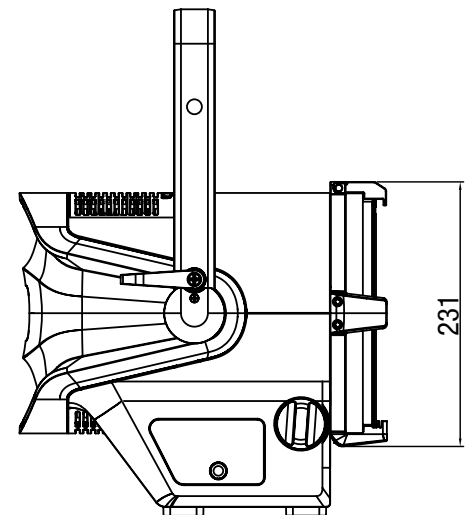
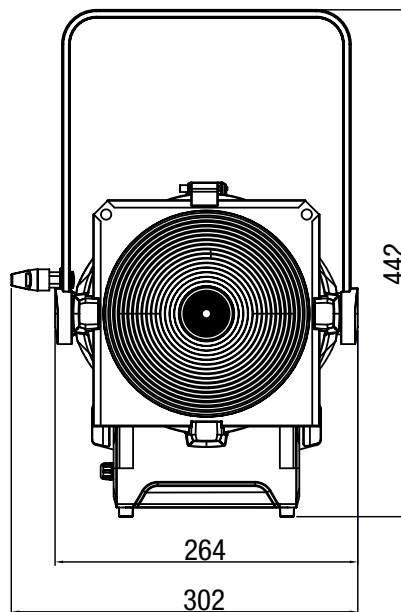
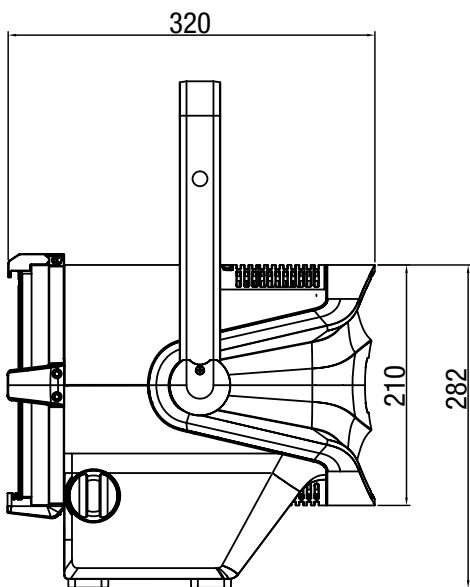


| Luminous flux | Chromaticity coordinates | |
|----------------------|--------------------------|-------|
| All LEDs on 12500 lm | xy 0.423 | 0.397 |



SPECIFICATIONS

| | |
|--|--|
| Product type | LED Fresnel Scheinwerfer |
| Type | Studio PAR 64 |
| Colour spectrum | Tungsten |
| Number of LEDs | 1 |
| LED type | 240 W (ca. 50,000 Operating Hours) |
| Refresh rate | Adjustable: 800 Hz, 1200 Hz, 2000 Hz, 3600 Hz, 12000 Hz, 25000 Hz |
| Dispersion | Field Angle: 29 ° - 63 °, Beam Angle: 15 ° - 40 ° |
| Lens | 200 mm Fresnel |
| DMX input | 5-Pol |
| DMX output | 5-Pol |
| DMX mode | 2-channel 1, 4-channel, 1-channel, 2-channel 2, 3-channel, 5-channel |
| DMX Functions | Device Settings, Dimmer, Dimmer Fine, Dimmer Curve, strobe |
| Standalone modes | master / slave mode, Static |
| Controls | Encoder |
| Indicators | OLED Display |
| Operating voltage | 100 V AC - 240 V AC, 50 - 60 Hz |
| Power consumption | 210 W |
| Power connector | Neutrik PowerCon |
| Housing material | die-cast aluminium |
| Cabinet colour | Black |
| Protection class IP | 20 |
| Cooling | Comination of Heat Pipe and Temperature Controlled Fan |
| Luminous flux | 13.628 lm |
| Efficiency | 57 lm/W |
| Ambient Temperatur (operating) | -15 - 45 °C |
| Colour temperature | 3200 K |
| Dimensions (W x H x D, without Mounting Bracket and Sash Limiter) | |
| Width | 270 mm |
| Height | 292 mm |
| Depth | 322 mm |
| Weight | 9 kg |



Features and specifications
subject to change without notice.

adamhall.com